

## Food freeze dryers Sublimator EKS-R

Simple and cost-effective  
15...1500kg capacity  
For freeze drying of products by radiation heating



Product trays are hanged between the radiation plates

- One chamber system, condenser behind the shelves
- Complete stainless steel 316L
- Liquid tempered stainless steel radiation plates for drying
- Radiation shelf on top position
- Uniform temperature distribution  $\pm 1^{\circ}\text{C}$  during drying
- repeatable processes
- Integrated vacuumpump
- Industrial PLC control system with touchpanel
- Free programmable receipts
- Integrated vacuum regulation
- Fast defrost by steam or hot water

Available standard sizes:

	10EKS-R	30EKS-R	50EKS-R	100EKS-R	150EKS-R
Capacity of fresh food	10-15kg	25-40kg	50-80kg	100-150kg	180-250kg
Max. bulk volume	28l	70l	165l	320l	480l
Chamber diameter	Ø600mm	Ø800mm	Ø1000mm	Ø1200mm	Ø1400mm
Loading capacity	8 pcs GN1/1 tray 325x530mm	10 pcs GN2/1 tray 650x530mm	24 pcs GN2/1 tray 650x530mm	56 pcs tray 400x600mm	100 pcs tray 400x600mm
No. of levels	8	10	12	18	20
tray area	1,38m <sup>2</sup>	3,45m <sup>2</sup>	8,27m <sup>2</sup>	13,5m <sup>2</sup>	24,0m <sup>2</sup>
Radiation temperature	30...110°C				
Condenser capacity	0.75kg/h 15kg total	2.0kg/h 45kg total	4.0kg/h 75kg total	7.5kg/h 150kg total	10kg/h 200kg total
Condenser temperature	-45°C				
Dimensions	L1500 x W980 H1850	L1750 x W1300 H1850	L1900 x W1500 H1950	L2200 x W1700 H2050	L2500 x W1900 H2150

Available options:

- Air- or watercooled cooling systems
  - prefreezing function
  - condenser -75°C
  - product trays
  - oilfree vacuum pump
- stainless steel housing or wall integration
  - capacitive vacuum sensor
  - process visualization Scada



Example of GN tray, 20mm high



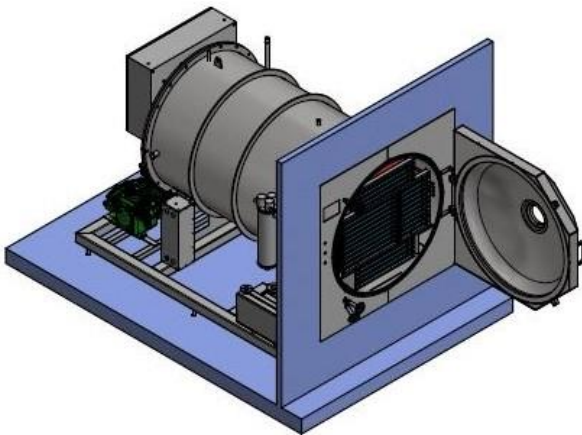
Pilot unit 10EKS-R



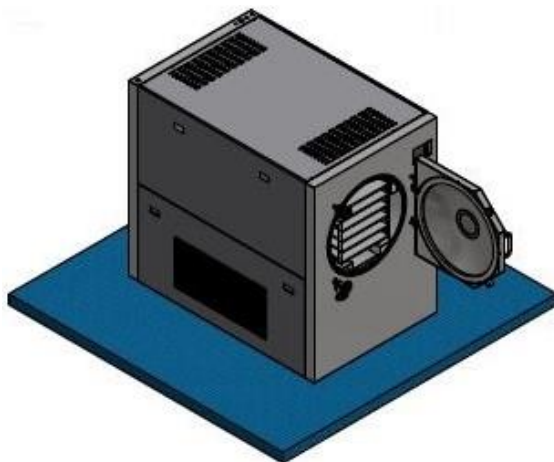
Wall integration 150EKS-R



1000 EKS-R with 90m<sup>2</sup> tray area, 1.000kg capacity



Wall integration



Stainless steel housing